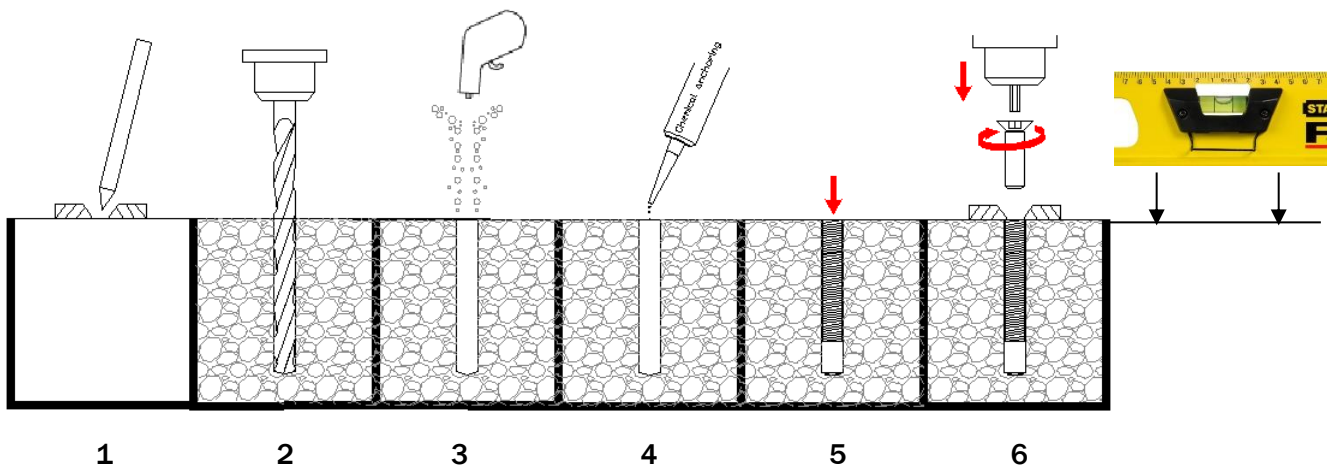


# Installation of Denfit Obstacle Trail on concrete with **CHEMICAL** **ANCHORING**

Before starting with the installation, check if all the parts on the drawing are delivered.

**On concrete (installation on tarmac is not possible)**

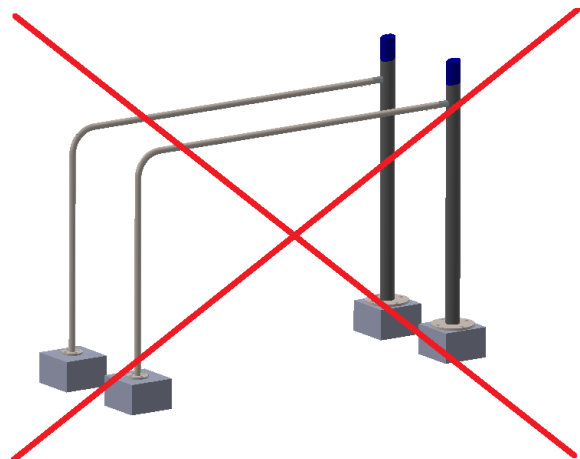
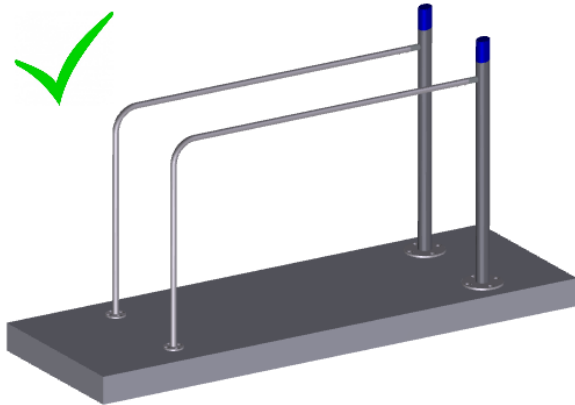
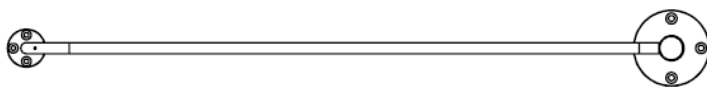


- 1 – Put the unit on a flat concrete floor and mark the holes.
- 2 – Drill the marked holes. See note.
- 3 – Clean the holes with air
- 4 – Apply the chemical anchoring in the holes. See note.
- 5 – Put the provided wedge anchors with internal thread M16 in the holes.
- 6 – Put the footplate with the holes above the rods and fasten the bolts halfway
- 7 – After the bars are installed (see next page) and the posts are level, fasten the bolts into the concrete

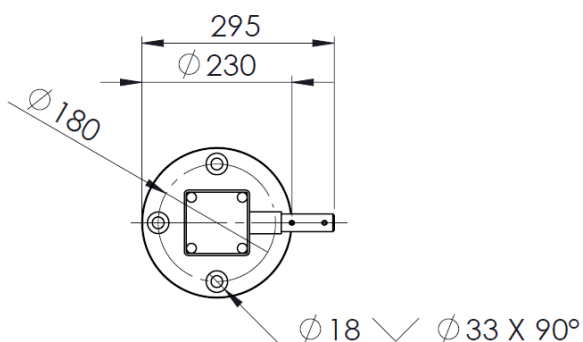
Note: you can also use your own anchors, but ALWAYS use chemical anchoring!

**Remarks:**

1 - Make sure that the concrete floor is strong enough to install the Obstacle Trail unit. It has to be reinforced concrete of **at least 140 mm thickness** and it has to be one compact concrete floor (and not small concrete plates).



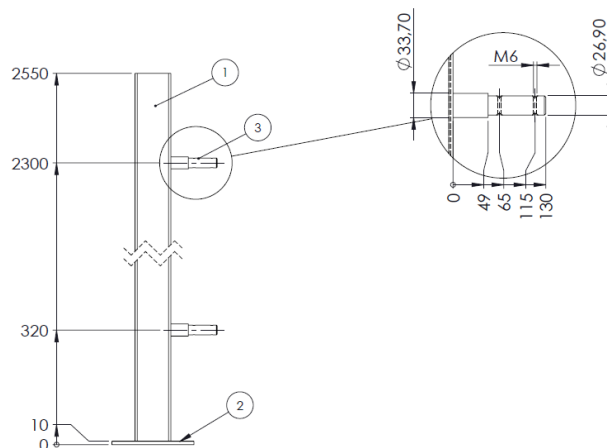
The Obstacle Trail units are provided with a round foot plate  $\varnothing 230$  mm, and they have got 4 anchoring holes. Always use the drawing of the products to determine the centre to centre distances.



2 - Connect all the bars and the ridges:



3 - When the bar is installed between the posts screw in the security bolt halfway **by hand. Do not use a drill.** Then do the adjustments and make sure that the posts are completely level. Should a bar not go over a ridge smoothly, you can use WD40 to help it.





4 - Tighten the security bolts of the bars completely **ONLY** when the posts are level. **Use Loctite!**

5 - Only then fasten the bolts on the foot plate into the concrete. Only use a drill to completely tighten the bolt, be careful not to damage the coating.





**BEFORE APPLYING WET POUR OR ARTIFICIAL GRASS MAKE SURE THAT THE COMPLETE UNIT IS LEVEL, STABLE AND CORRECTLY INSTALLED! AND CHECK IF THE PRODUCT FUNCTIONS AS IT SHOULD.**